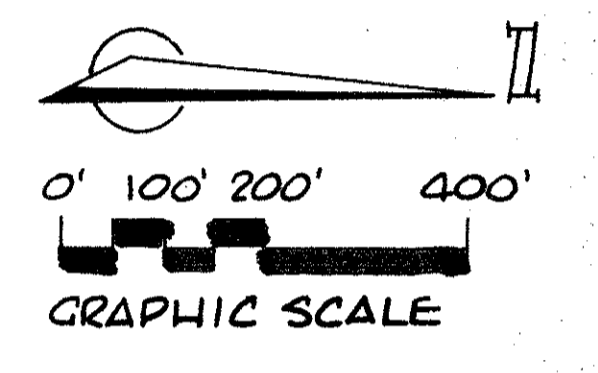
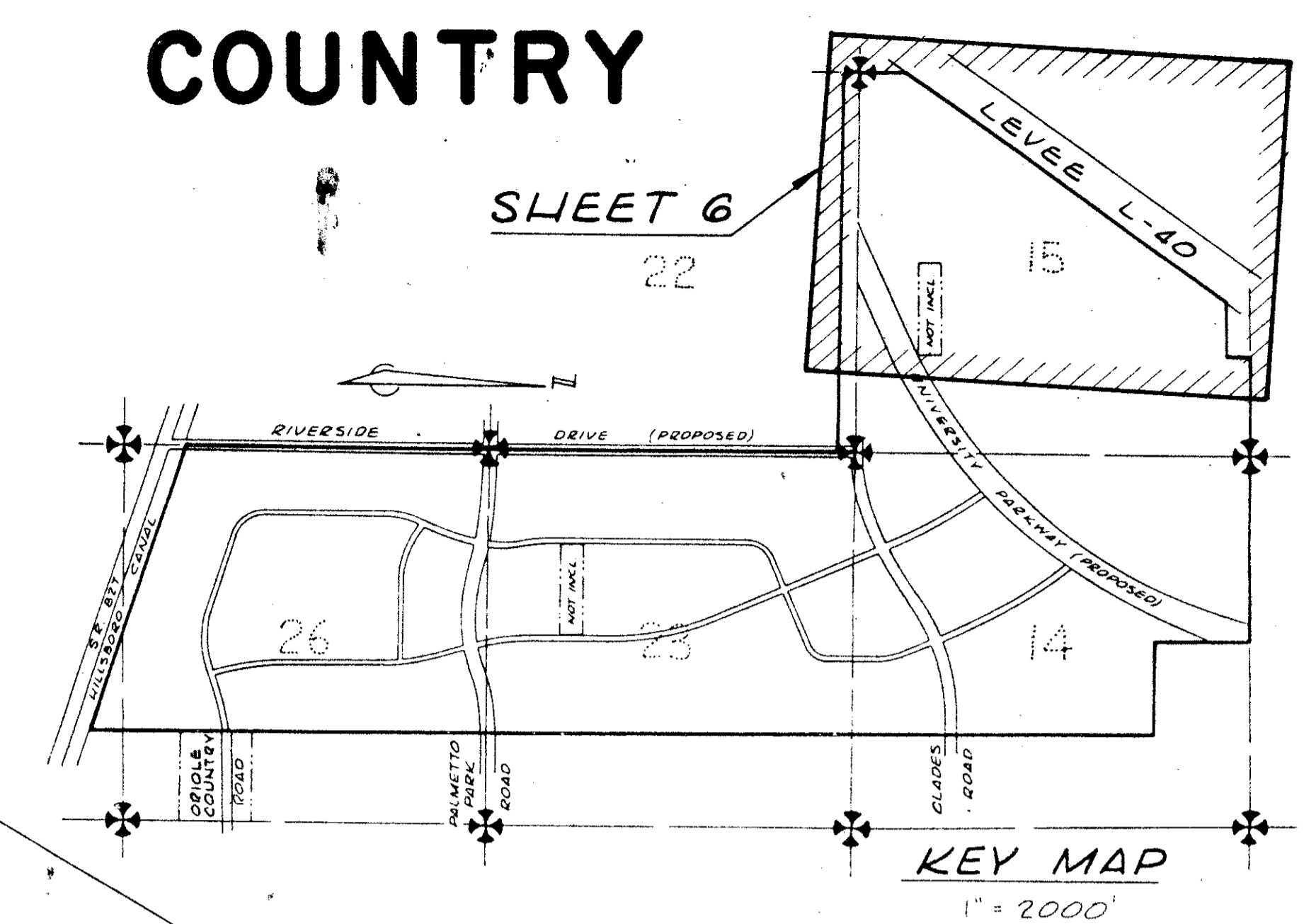
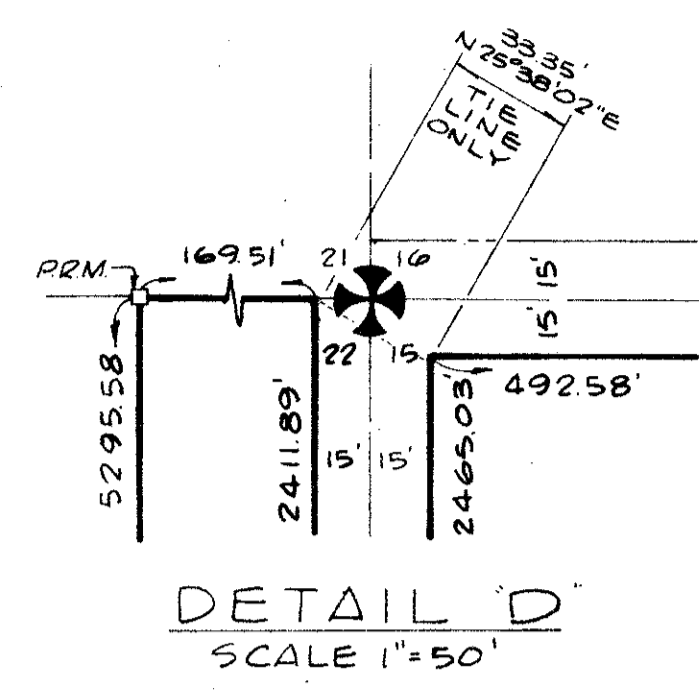
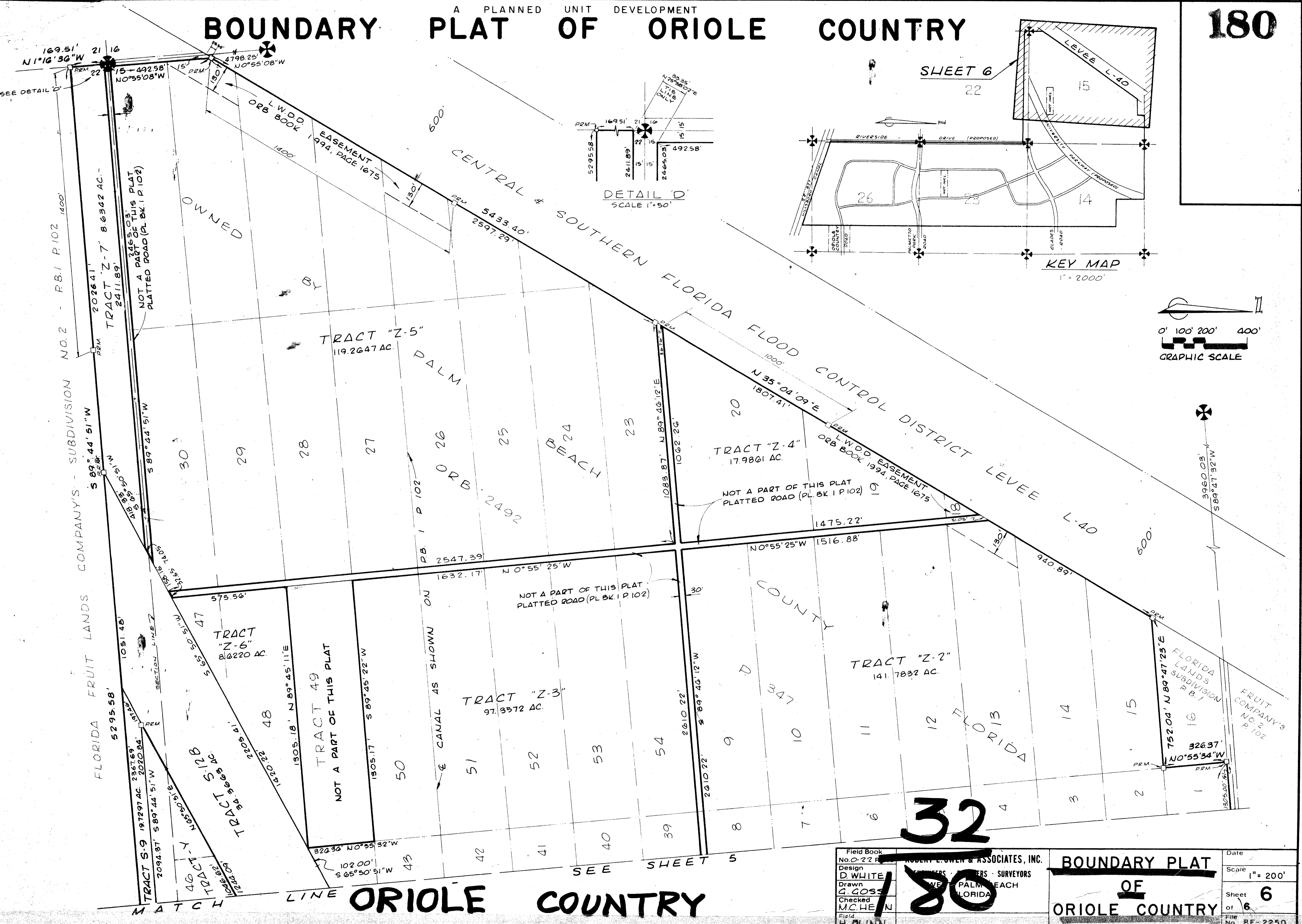


BOUNDARY PLAT OF ORIOLE COUNTRY

A PLANNED UNIT DEVELOPMENT

180



32

ORIOLE COUNTRY

Field Book No. 0-22 R	ROBERT E. OWEN & ASSOCIATES, INC.	BOUNDARY PLAT	Date
Design D. WHITE	REGISTERED PROFESSIONAL SURVEYORS		Scale 1" = 200'
Drawn G. GOSS	ORIOLE BEACH, FLORIDA	OF	Sheet 6
Checked M. CHEN			of 6
Field H. BLINN		ORIOLE COUNTRY	File No. BF-2250